

NPN MJE 系列晶体管/MJE SERIES TRANSISTORS

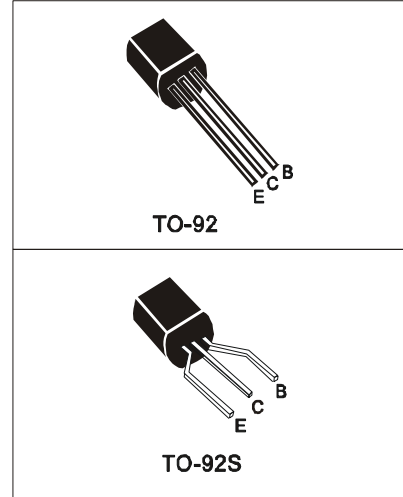
MJE13001H

- 特点: 耐高压 开关速度快 安全工作区宽 符合 RoHS 规范
- FEATURES: ■HIGH VOLTAGE CAPABILITY ■HIGH SPEED SWITCHING ■WIDE SOA ■RoHS COMPLIANT
- 应用: 节能灯 电子镇流器
- APPLICATION: ■FLUORESCENT LAMP ■ELECTRONIC BALLAST

● 最大额定值 (Tc=25°C)

● Absolute Maximum Ratings (Tc=25°C) **TO-92/92S**

参数 PARAMETER	符号 SYMBOL	额定值 VALUE	单位 UNIT
集电极-基极电压 Collector-Base Voltage	V _{CB0}	700	V
集电极-发射极电压 Collector-Emitter Voltage	V _{CEO}	480	V
发射极-基极电压 Emitter- Base Voltage	V _{EBO}	9	V
集电极电流 Collector Current	I _c	0.3	A
集电极耗散功率 Total Dissipation at Ta=25°C	P _{tot}	1.0	W
最高工作温度 Junction Temperature	T _j	150	°C
贮存温度 Storage Temperature	T _{stg}	-65-150	°C



● 电特性 (Tc=25°C)

● Electronic Characteristics (Tc=25°C)

参数名称 CHARACTERISTICS	符号 SYMBOL	测试条件 TEST CONDITION	最小值 MIN	最大值 MAX	单位 UNIT
集电极-基极截止电流 Collector-Base Cutoff Current	I _{CB0}	V _{CB} =700V		100	μA
集电极-发射极截止电流 Collector-Emitter Cutoff Current	I _{CEO}	V _{CE} =480V, I _B =0		250	μA
集电极-基极电压 Collector-Base Voltage	V _{CB0}	I _C =1mA, I _E =0	700		V
集电极-发射极电压 Collector-Emitter Voltage	V _{CEO}	I _C =10mA, I _B =0	480		V
发射极-基极电压 Emitter- Base Voltage	V _{EBO}	I _E =1mA, I _C =0	9		V
集电极-发射极饱和电压 Collector-Emitter Saturation Voltage	V _{cesat}	I _C =0.05A, I _B =0.01A		0.4	V
		I _C =160mA, I _B =50mA		0.8	
发射极-基极饱和电压 Base-Emitter Saturation Voltage	V _{besat}	I _C =50mA, I _B =10mA		1.1	V
电流放大倍数 DC Current Gain	h _{FE}	V _{CE} =5V, I _C =1mA	7		
		V _{CE} =20V, I _C =20mA	20	30	
		V _{CE} =5V, I _C =300mA	5		
贮存时间 Storage Time	t _s	V _{CC} =5V, I _C =0.1A (UI9600)	1.0	2.0	μs
下降时间 Falling Time	t _f			0.8	

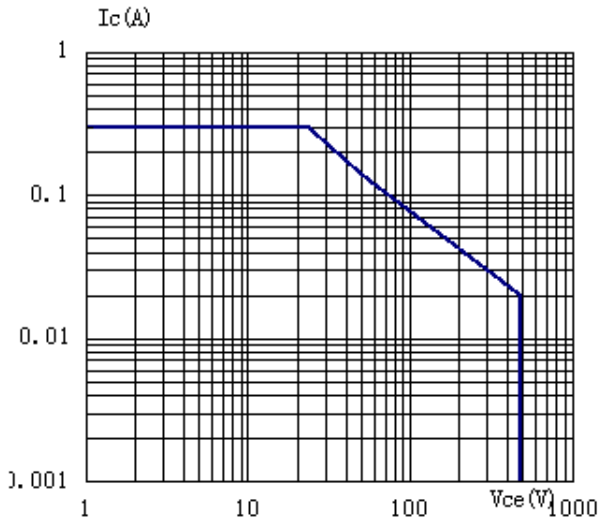
● 订单信息/ORDERING INFORMATION:

包装形式/PACKING	订货编码/ORDERING CODE	
	普通塑封料/ Normal Package Material	无卤塑封料/Halogen Free
TO-92 普通袋装/NORMAL PACKING	MJE13001H TO-92	MJE13001H TO-92-HF
TO-92S 普通袋装/NORMAL PACKING	MJE13001H TO-92S	MJE13001H TO-92S-HF
TO-92 盒式编带/AMMOPACK	MJE13001H TO-92-AP	MJE13001H TO-92-AP-HF

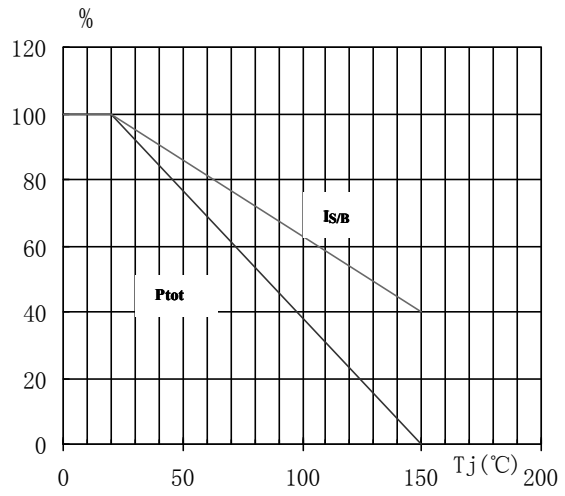
NPN MJE 系列晶体管/MJE SERIES TRANSISTORS

MJE13001H

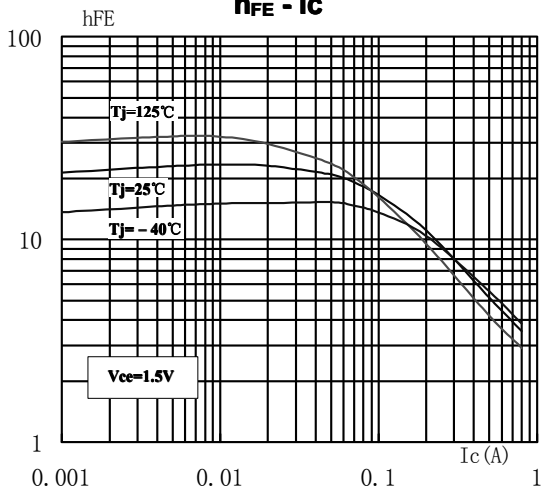
SOA (DC)



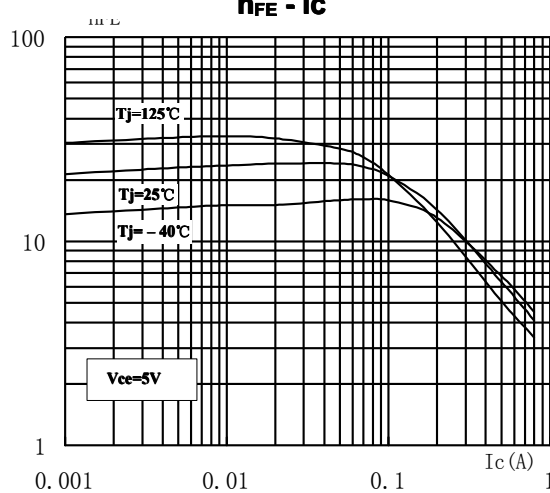
$P_{tot} \propto T_j$



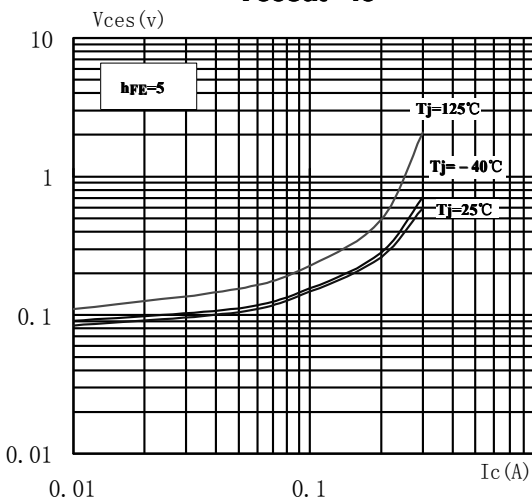
$h_{FE} - I_c$



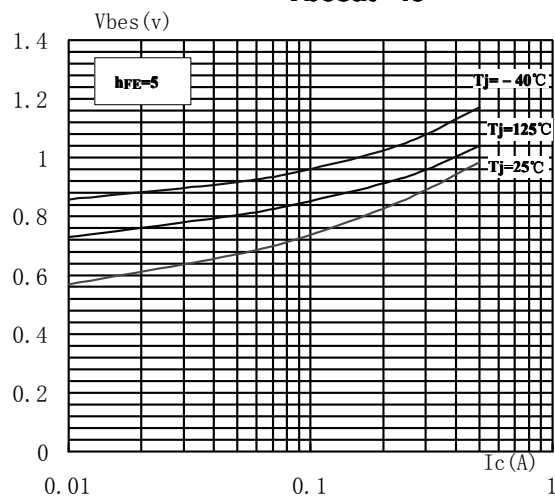
$h_{FE} - I_c$



$V_{cesat} - I_c$



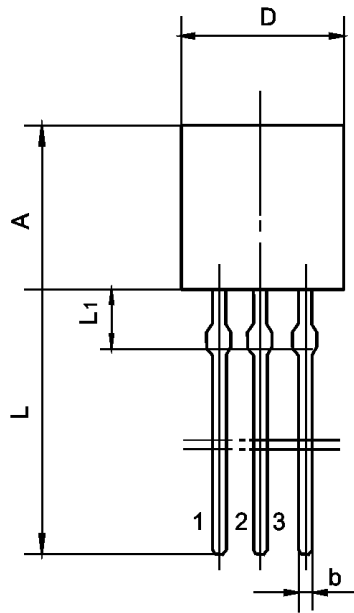
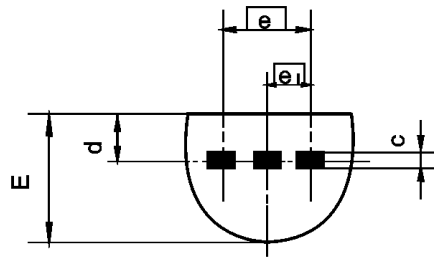
$V_{besat} - I_c$



TO-92 封装机械尺寸 TO-92 MECHANICAL DATA

单位:毫米/UNIT: mm

符号/SYMBOL	最小值/min	典型值/nom	最大值/max
A	4.30		5.30
b	0.30		0.55
c	0.30		0.50
ϕD	4.30		5.20
D			
d	1.00		1.70
E	3.20		4.20
e		2.54	
e1		1.27	
L	12.70		15.00
L1	1.50		2.00



TO-92S 封装机械尺寸 TO-92S MECHANICAL DATA

单位:毫米/UNIT: mm

符号/SYMBOL	最小值/min	典型值/nom	最大值/max
A	4.30		5.30
b	0.30		0.55
c	0.30		0.50
D(ϕ D)	4.30		5.20
d	1.00		1.70
E	3.20		4.20
F	2.25	2.40	2.55
L	3.20		3.80
L1	2.60		2.70

